


QUICK-STEP® INCIZO® METAL PROFILE COMMERCIAL USE



| <u>Order code</u> | <u>Dimensions</u> | <u>Picture</u> | <u>Packing unit</u> |
|------------------------------------------------------------------|---------------------|------------------------------------------------------------------------------------|------------------------------------------------------|
| QSINPC12SILVME270 QSINPC12SILVME270 (for IMPRESSIVE ULTRA) | 58 x 2700 x 11,4 mm |  | 1 (handle, metal rail, screws and plugs included) |



Product description

The metal profile with Incizo® technology provides a simple solution for a perfect finish to your Quick-Step® floor. You can create any profile imaginable with the handle supplied: expansion profile, adapter profile, transition profile and also an edge profile.

The Incizo® profile provides a handy and economic solution.

Contents: 1 metal Incizo® profile, rail, 1 handy handle, screws and plugs.

Applications

Wood is the main component of your Quick-Step® floor. Room humidity may vary from season to season, so it is vital that the floor is able to expand and contract. The floor must be able to expand and contract on all sides. This is why an expansion gap of at least 8 to 12 mm must be provided around the floor. The Quick-Step® metal profile with Incizo® technology can be used to finish this gap. Quick-Step® also has a wide range of skirting boards for the perfect finish of the expansion gap (against a wall). (You can find more information about our Quick-Step® skirting boards at www.quick-step.com).



The Quick-Step® metal profile with Incizo® technology can be used in 4 different applications.

√ Expansion profile

The Quick-Step® expansion profile is used to join two floors in: doorways, door openings, L-shaped rooms or rooms where the floor is greater in distance than 12 m in length or width.



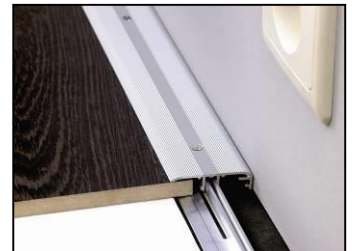
√ Adapter profile

the Quick-Step® adapter profile ensures a smooth transition from a Quick-Step® floor to an alternative floor covering at a lower height, like tiles, vinyl or parquet.



√ Edge profile

The Quick-Step® edge profile is used to finish the edge of a floor against a vertical surface such as sliding doors, low open windows, a slightly higher doorstep or tiled floor.



√ Transition profile

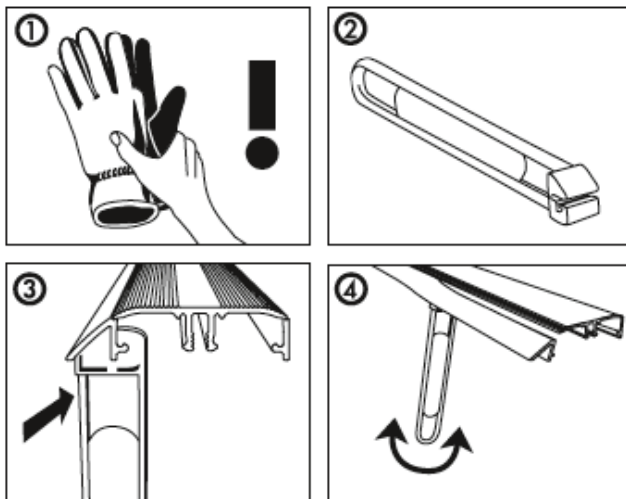
The Quick-Step® transition profile can be used to cover the transition to a fixed carpet, for example.



Specifications

- √ Suitable for all interiors
The neutral silver colour offers a perfect finish for all interiors.
- √ Complete package
The metal rail, the handle and the screws and plugs are supplied together with the multifunctional profile
- √ High quality metal
The multifunctional profile consists of high quality metal.
- √ Strongly mounted with screws
- √ Economical
You can use the profile leftovers in other applications, so there is less waste.
- √ Easy
Another added benefit of this multifunctional profile is that you always have the right solution on hand. You can create any profile imaginable with the handle supplied: expansion profile, adapter profile, transition profile and also an edge profile.

Instructions



How to use the supplied handle?

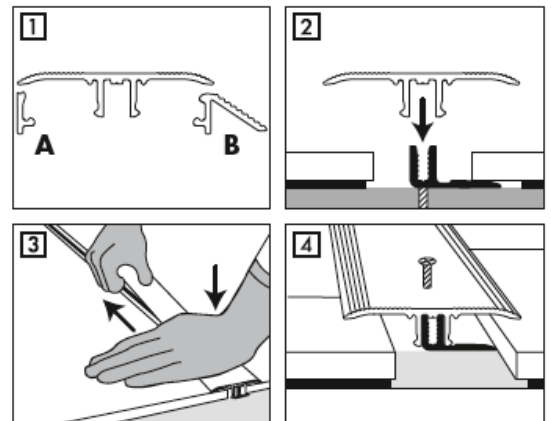
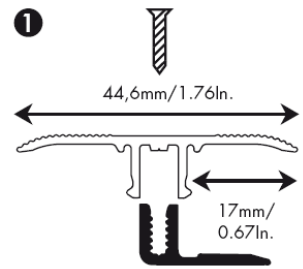
The handle can be used very simply to remove one or two pieces of the profile to obtain an adapter, edge or expansion profile.

Place the handle on the profile (see illustration 3). Make an up-and-down movement with the handle (see illustration 4); do this whilst you slide it over the length of the profile in a smooth movement. Take off the piece to be removed.

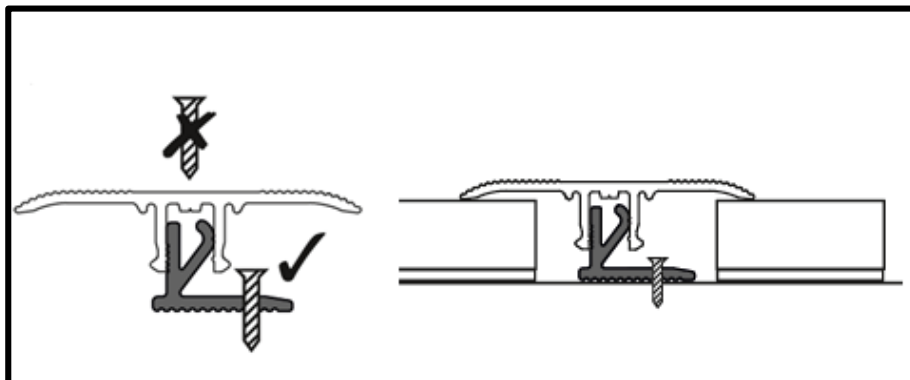
√ Expansion profile

First cut the profile to the right length. Using the handle, remove part A and part B to obtain an expansion profile. While installing the floor, be sure to allow a sufficient gap between the two surfaces to be joined by the profile. Cut the rail to the right length and place it in the middle of the gap between the two floor surfaces. The rail is attached to the subfloor with the screws and plugs supplied. Gently press the profile from one side of the rail to the other. Press against the floor. Then screw the profile to the rail with the screws supplied.

Note! Correct use of the screws supplied: use the screws together with the plugs to attach the rail to the subfloor. The other screws serve to secure the profile to the rail.

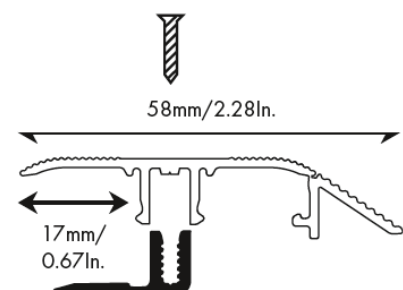


! Impressive Ultra:

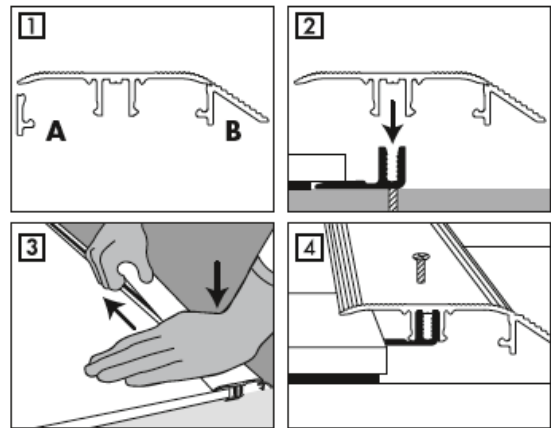


√ Adapter profile

First cut the profile to the right length. Using the handle, remove part A to obtain an adapter profile. Cut the reinforcement piece to the right length. Turn the profile around on a stable subfloor. Lay the reinforcement piece in the correct position on the profile and click into place. Mark the ground to indicate how far the edge of the flooring will extend. Allow the underlay to extend until just before that line: It is best to place the rail (on which the adapter profile will be

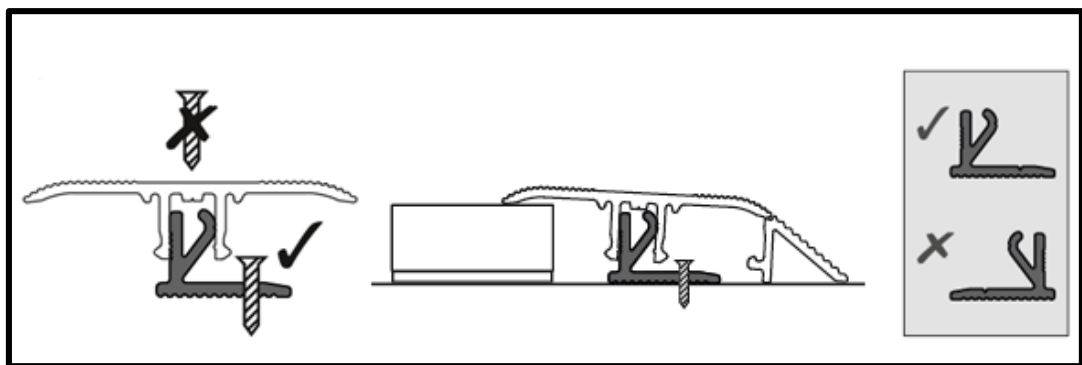


clamped) later on top of the subfloor. Be sure that there is enough distance between your flooring and the edge of the underlay (it is very important that the expansion gap is sufficient). Fix the rail to the subfloor, with the long lip in the direction of the floor. The rail is attached to the subfloor with the screws and plugs supplied. Gently press the profile into the rail from one side to the other. Press against the floor. Then screw the profile to the rail with the screws supplied.



Note! Correct use of the screws supplied: use the screws together with the plugs to attach the rail to the subfloor. The other screws serve to secure the profile to the rail.

! Impressive Ultra:

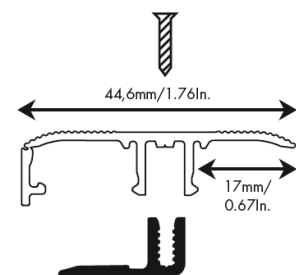


√ Edge profile / Transition profile

First cut the profile to the right length. Using the handle, cut away part B to obtain an end profile. Cut the reinforcement piece to the right length. Turn the profile around on a stable subfloor. Lay the reinforcement piece in the correct position on the profile and click into place.

Installing against a vertical surface: Cut the plastic rail to the correct length and fit it with the long lip in the direction of the vertical surface. Position the rail with the aid of the profile. The rail is attached to the subfloor with the screws and plugs supplied. Gently press the profile into the rail from one side to the other. Press against the floor. Then screw the profile to the rail with the screws supplied.

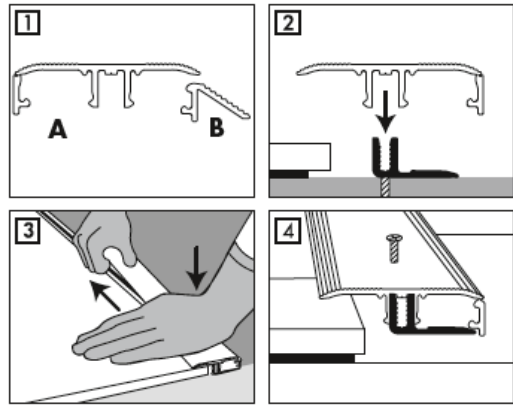
Note! Correct use of the screws supplied: use the screws together with the plugs to



attach the rail to the subfloor. The other screws serve to secure the profile to the rail.

Installing against a horizontal surface:

Identical to installing an adapter profile.



! Impressive Ultra:

